

NATO strap - Modus Operandi

I. ACKNOWLEDGEMENTS | We would like to thank you for choosing a RJ-Romain Jerome timepiece

You have just bought an exceptional timepiece, the result of Swiss watchmaking tradition that combines craftsmanship and know-how with outstanding technological expertise.

Each component in your watch complies with the strict quality control standards imposed by RJ-Romain Jerome master watchmakers. To guarantee the exclusivity of its designs, each RJ-Romain Jerome timepiece carries an individual number which certifies its authenticity. Your RJ-Romain Jerome timepiece is an exclusive and unique creation, a high-end watch that will give you a lifetime of satisfaction and loyal service.

II. DNA OF FAMOUS LEGENDS | Measure, capture and celebrate time...

Timepieces in the DNA of Famous Legends collection are inspired by and designed to pay tribute to the great legends of our time.

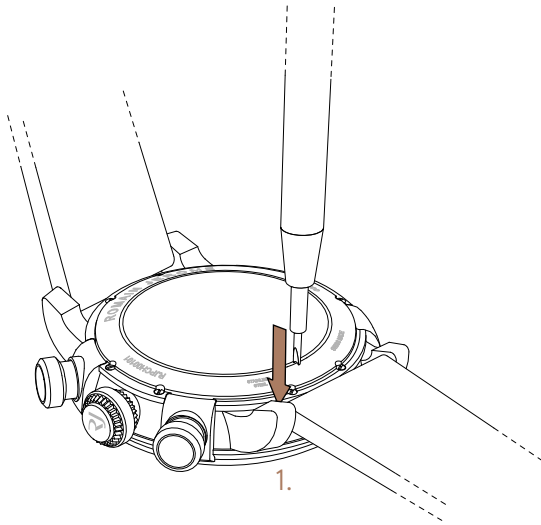
RJ-Romain Jerome breathes something of history into its creations and thus gives them a real soul.

III. MATERIALS | RJ-Romain Jerome takes great care in the choice of materials used to make its timepieces

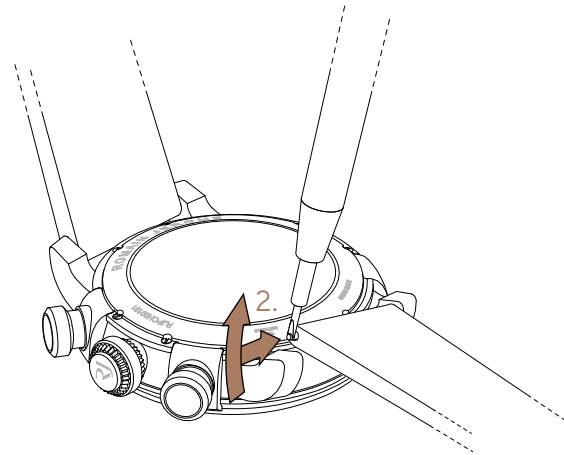
It is pushing back design frontiers and using new materials in the manufacture of its watches. These new materials are combined and used together with precious metal such as red gold, traditionally used in the design and the creation of luxury watches.

RJ-Romain Jerome ensures that the origin of all these materials is duly certified by notarised act in Switzerland.

IV. HOW TO CHANGE A CLASSIC STRAP FOR A NATO STRAP

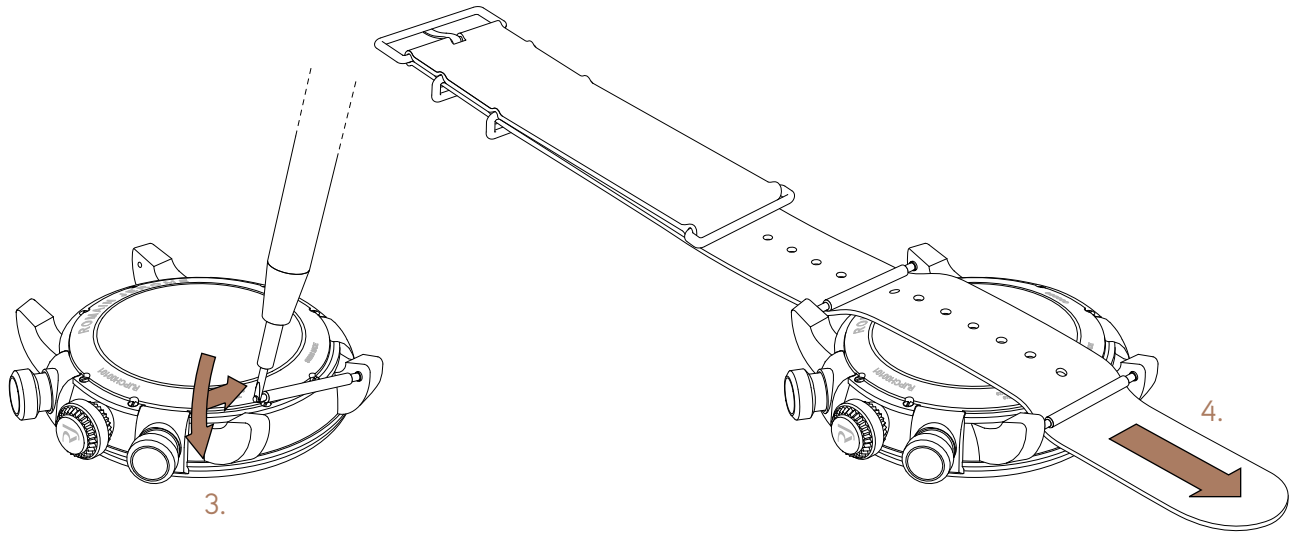


1. Insert the spring bar tool in between the lug and the strap



2. Push the tool towards the center of the strap to compress the spring bar. Once the bar has fully retracted, gently push up to remove the strap. Please repeat the process for the opposite side

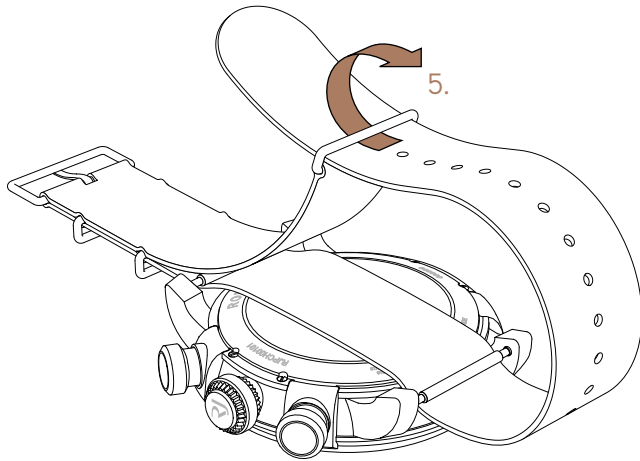
IV. HOW TO CHANGE A CLASSIC STRAP FOR A NATO STRAP



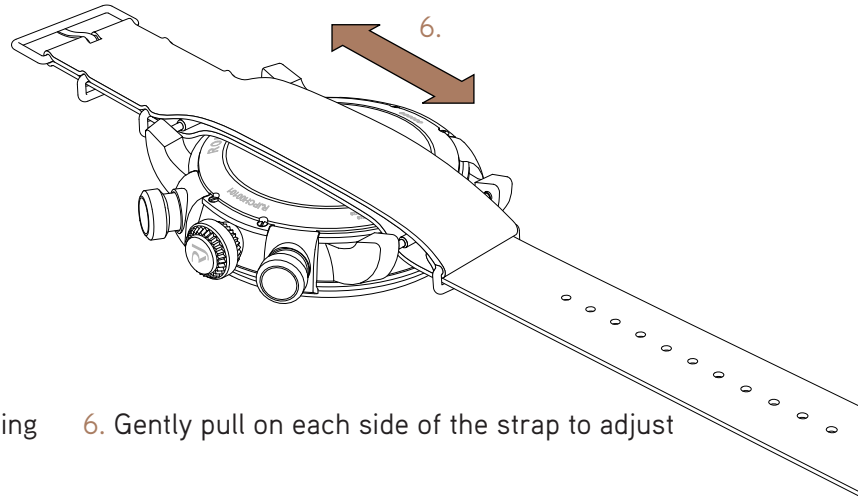
3. Extract the spring bar from the strap and position it between the lugs by repeating step 2, making sure that the end pieces of the bar are well positioned in the holes.

4. Pass the longer part of the NATO strap beneath both spring bar

IV. HOW TO CHANGE A CLASSIC STRAP FOR A NATO STRAP



5. Pull this part of the strap through the opening in between the lugs



6. Gently pull on each side of the strap to adjust

XIV. MAINTENANCE

Your RJ-Romain Jerome timepiece is protected against temperature variations, perspiration, damp, dust and water thanks to its high quality components. If exposed to extreme conditions, this protective system may deteriorate with use.

You are strongly recommended to have the water resistance checked every 2 years. Your watch is water-resistant to a depth of 30 meters. You are strongly advised to rinse your watch after swimming in the sea.

XV. WARRANTY

The individual number marked on your RJ-Romain Jerome timepiece certifies its authenticity.

It also identifies the watchmaker who made the watch and ensures monitoring of the complete manufacturing process within our factory.

Your RJ-Romain Jerome watch is guaranteed against all manufacturing defects for 24 months from the date on your warranty card which must be duly completed and signed by an authorised RJ-Romain Jerome dealer.

If, despite all our efforts, your watch requires a repair, take it to your jeweller, along with your warranty.

This warranty does not cover deterioration or damage resulting from incorrect operation, unfortunate accidents, negligence and improper use.

Wear and tear on the leather strap, the glass and any other action by a third party not authorised by Romain Jerome are not covered by the warranty.

For further information please contact: sav@romainjerome.ch

www.romainjerome.ch