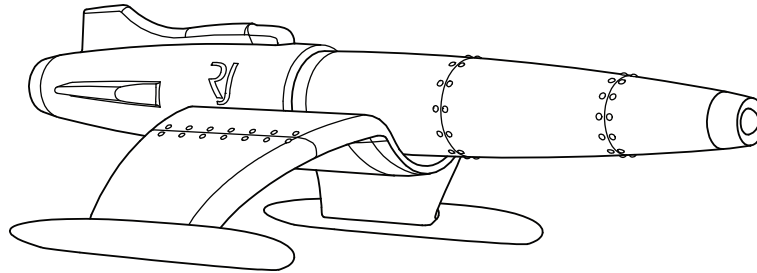




MoonFighter rollerball - Modus Operandi

I. PRESENTATION

The RJ-Romain Jerome watch company thanks you for having chosen a creation from its prestigious Moon-DNA collection. You have just acquired a MoonFighter, an exceptional writing instrument inspired by science fiction and space vessels. This model, issued in 888-piece limited series for each finish, features a blend of handcraftsmanship skills, technological feats and truly exclusive character.

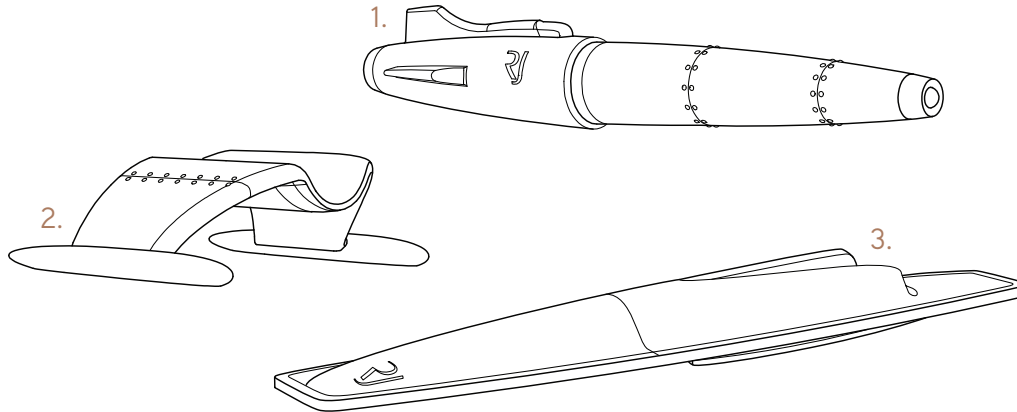


Each component of your writing instrument meets the stringent quality and testing requirements established by RJ-Romain Jerome and is entirely manufactured in Switzerland, thereby living up to the demands of the “Swiss made” label.

The rare nature of MoonFighters is guaranteed by the Moon Dust™ – duly authenticated by an official certificate – contained within its transparent Plexiglas cockpit and by the limited-edition individual number engraved on the side of the cap.

II. DESCRIPTION

1. Impeccably sleek lines and beautifully refined curves give this writing instrument the look and feel of a space vessel
2. When not used, the MoonFighter may be placed on its docking station featuring carbon fibre skids
3. When on the move, the MoonFighter may be protected by a leather pouch fastened by a black PVD-finished clip



III. TECHNICAL CHARACTERISTICS

- The MoonFighter is composed of more than 100 parts, finished and assembled by hand
- Moulded Plexiglas cockpit containing certified Moon Dust™
- Writing instrument composed of 48 hand-set decorative rivets
- Docking station composed of 28 hand-set decorative rivets
- Barrel, cap and docking station in stainless steel
- Three different finishes, Heavy metal, Black Metal or Vintage
- Three different finishes for the tips and the rings, palladium (PdNi), black PVD or rose gold (Au5N)
- Non-slip rubber polymer inserts on the writing apparatus
- Carbon fibre finish on the docking station skids
- Leather pouch fastened by a black PVD-finish clip
- G2 standard cartridges available worldwide
- The MoonFighter rollerball pen is supplied with a Swiss-made soft-write (gel) standard G2 cartridge

IV. FILLING OR CHANGING THE CARTRIDGE

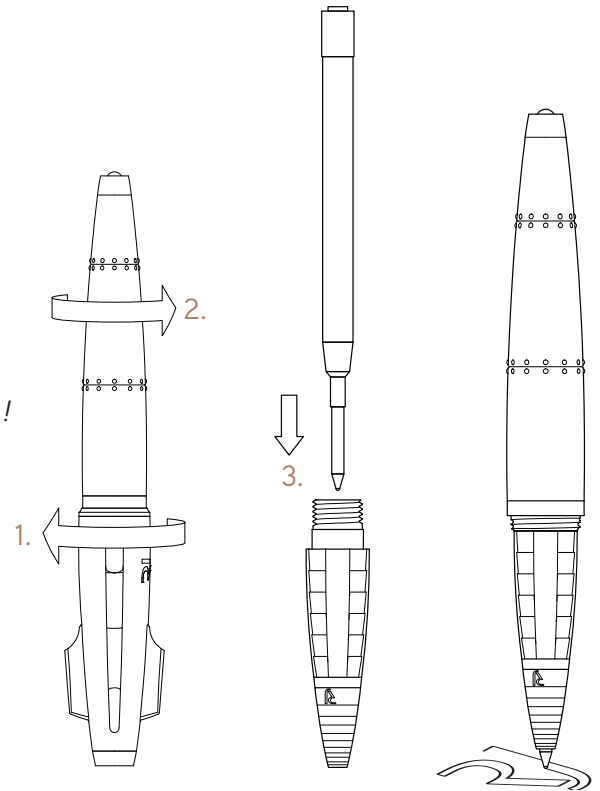
This writing instrument is a rollerball pen equipped with an interchangeable G2 standard cartridge available worldwide

Preparation

1. Unscrew the cap
2. Unscrew the barrel of the rollerball pen
3. Change the G2 standard cartridge

Be careful not to loose the spring housed inside the writing apparatus!

- Re-screw the barrel of the rollerball pen, which is now ready for use

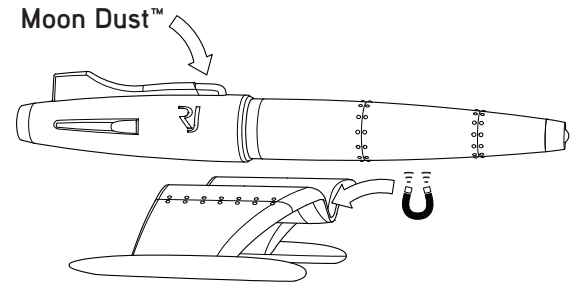


V. STORAGE AND TRANSPORT

- When not in use, the MoonFighter may be placed on its magnetic docking station to ensure optimal hold and stability
- The clip-fastening leather pouch protects the MoonFighter during transport

VI. CARE AND MAINTENANCE

- Clean all surfaces regularly with a soft cloth
- Do NOT use soap or detergent
- Regular use of your writing instrument will give it an authentic patina
- If the writing instrument is not used for some time, remove the cartridge or empty the ink, clean the surfaces with a soft cloth, and place the instrument in its travel pouch or its presentation box away from damp



VII. WARRANTY

- The limited series number allocated to your MoonFighter writing instrument certifies its authenticity. It also serves to identify the person responsible for making it and is used to track the entire process involved in its creation
- Your MoonFighter writing instrument is guaranteed against all manufacturing defects for 24 months starting from the date entered in the guarantee booklet duly filled out and signed by an authorised RJ-Romain Jerome retailer
- If, despite the great care we have devoted to crafting it, your fountain pen should require repair, please contact your authorised dealer with your warranty card
- This warranty naturally does not cover any deterioration or damage due to improper handling of the writing instrument, to accidental shocks, to neglect or inappropriate use, to dismantling and to wear
- In order to guarantee the origin of the Moon Dust™ it contains, your authorised RJ-Romain Jerome retailer will deliver the writing instrument with a corresponding certificate of authenticity

VIII. AFTER-SALES SERVICE

- Before dispatching your writing instrument for repair, kindly contact us by e-mail at the following address: sav@romainjerome.ch

www.romainjerome.ch